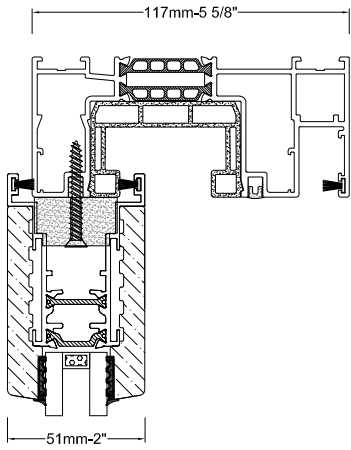
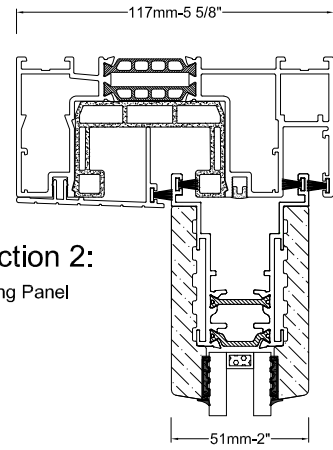


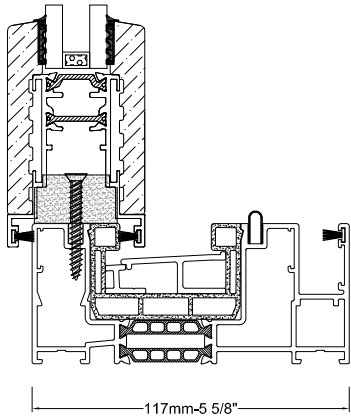
RW65 - Reinforced Wood / Wood 2 Panel Sliding Door System General Arrangement Drawings



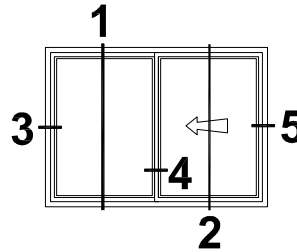
Section 1:
Fixed Panel



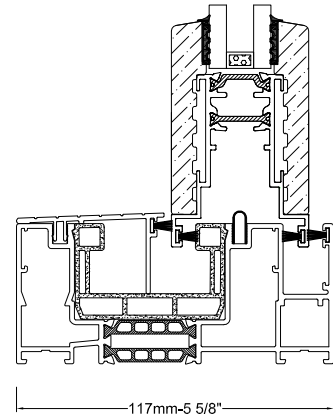
Section 2:
Sliding Panel



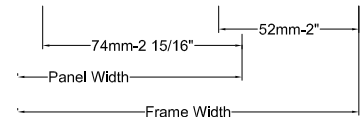
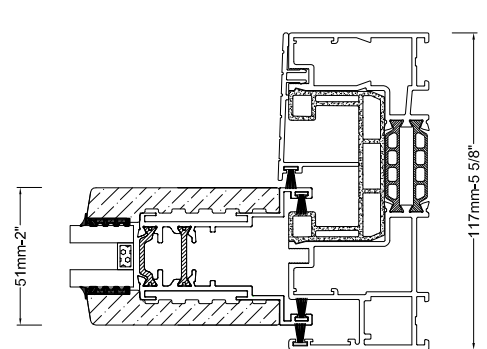
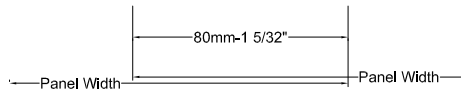
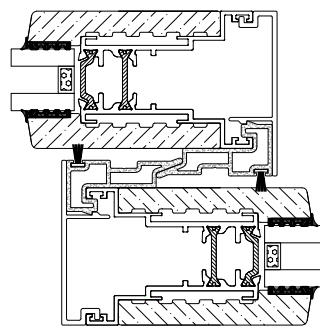
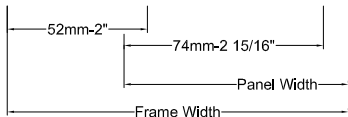
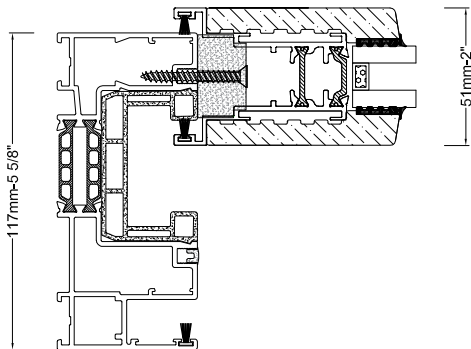
Section 3:
Jamb with Fixed Panel



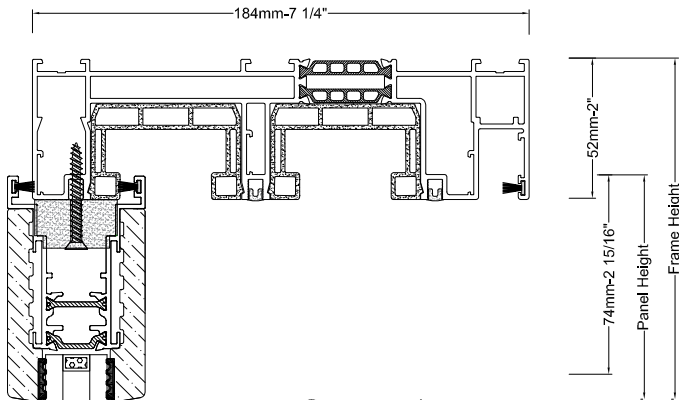
Section 4:
Interlocking Panels



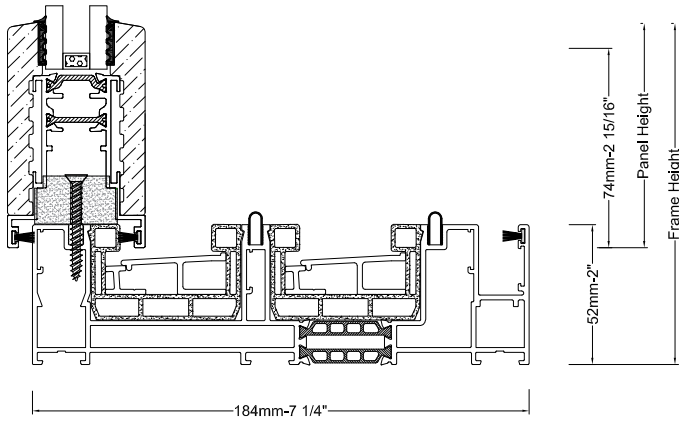
Section 5:
Jamb with Sliding Panel



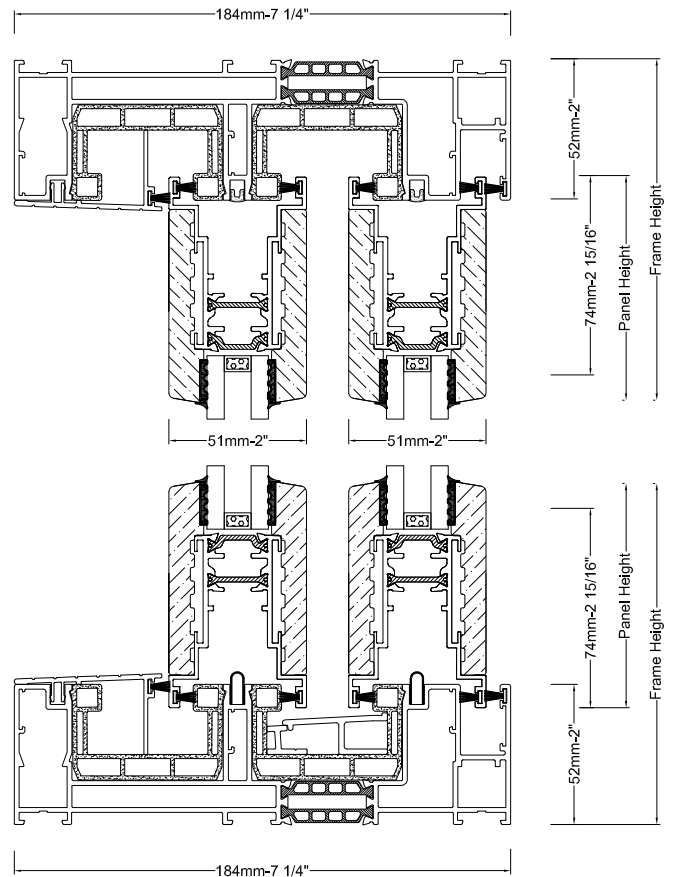
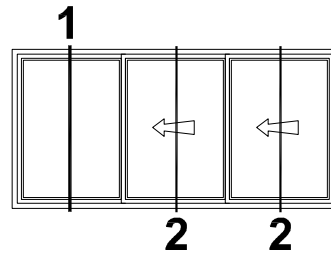
RW65 - Reinforced Wood / Wood 3 Panel Sliding Door System General Arrangement Drawings



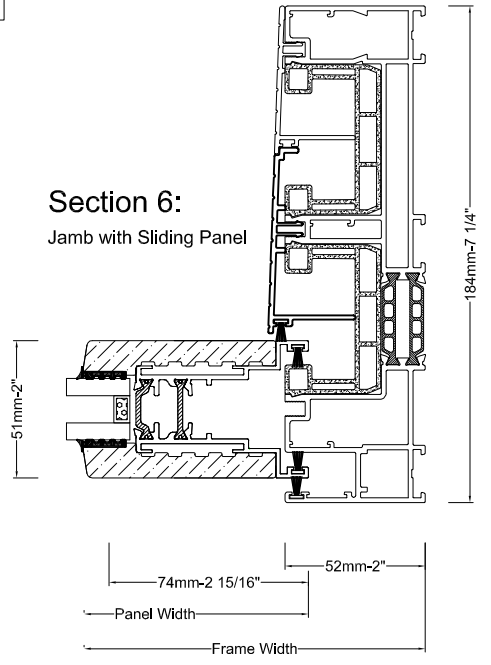
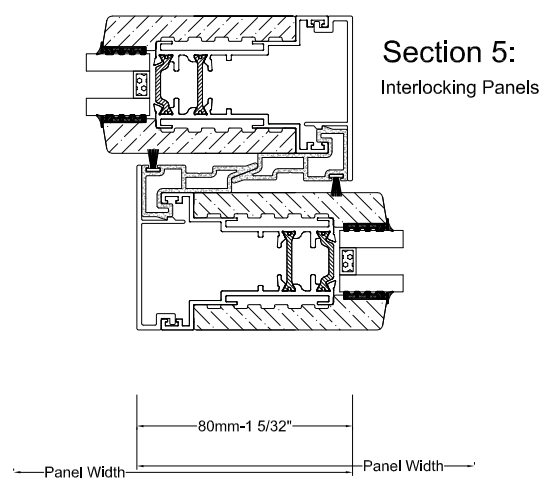
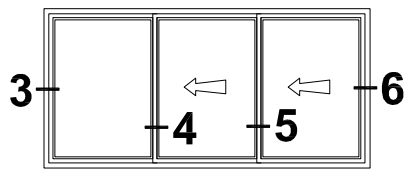
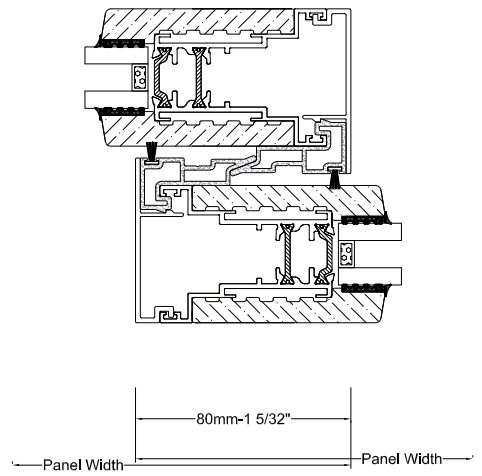
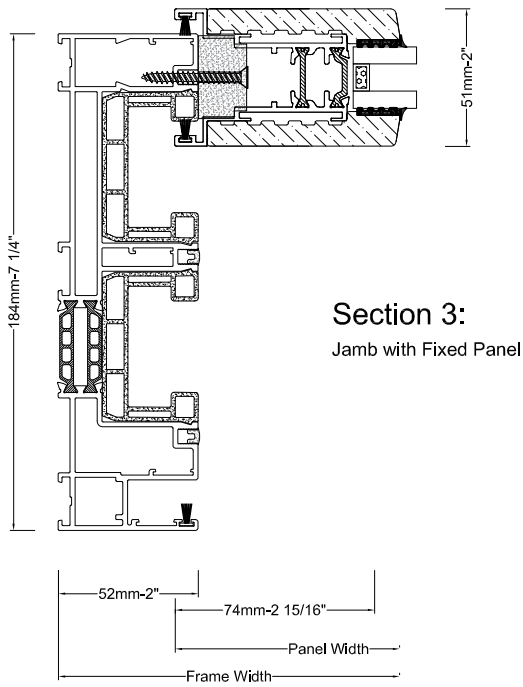
Section 1:
Fixed Panel



Section 2:
Sliding Panels



RW65 - Reinforced Wood / Wood 3 Panel Sliding Door System General Arrangement Drawings



RW65 - Reinforced Wood / Wood Trickle Vent / Cill Options

General Arrangement Drawings

